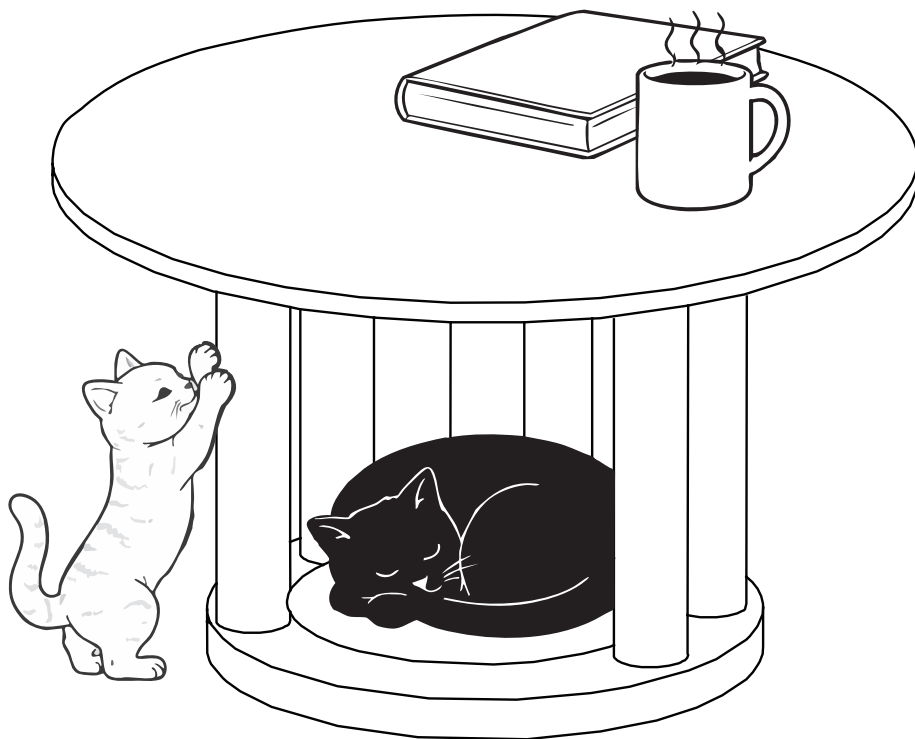




**PATHOSIO PETS**

# **CAT-FRIENDLY COFFEE TABLE**

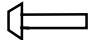


## Assembly Manual

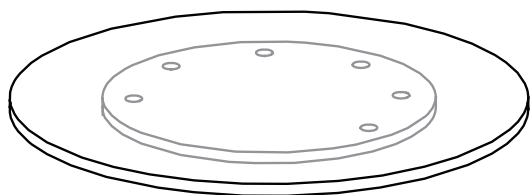


For any customer feedback, questions, or problems, scan the QR code to open a ticket on our website:

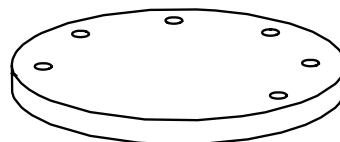


# PARTS LIST

P1		6 pcs. + 1 spare <i>D8 x 60 mm</i>
P2		1 pc <i>5 mm</i>
P3		5 pcs. <i>4 x 2 mm</i>



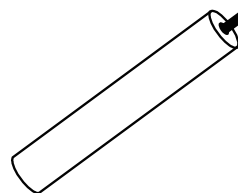
Ⓐ × 1



Ⓑ × 1



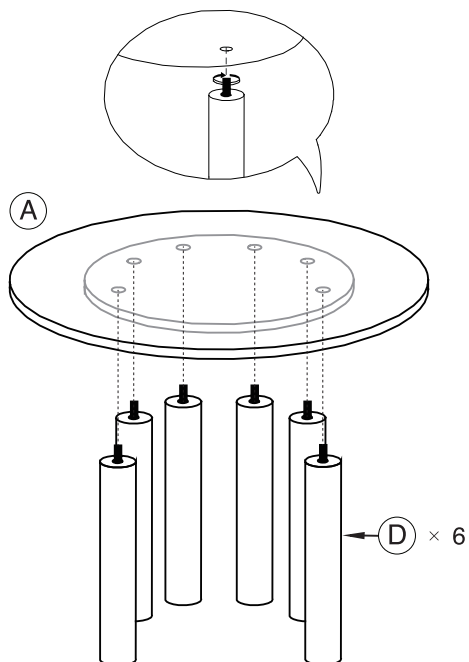
Ⓒ × 1



Ⓓ × 6

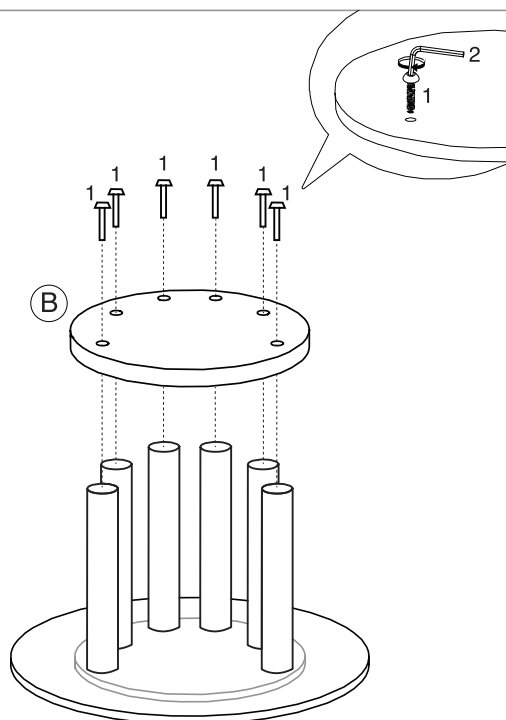
# ASSEMBLY INSTRUCTIONS

## 1



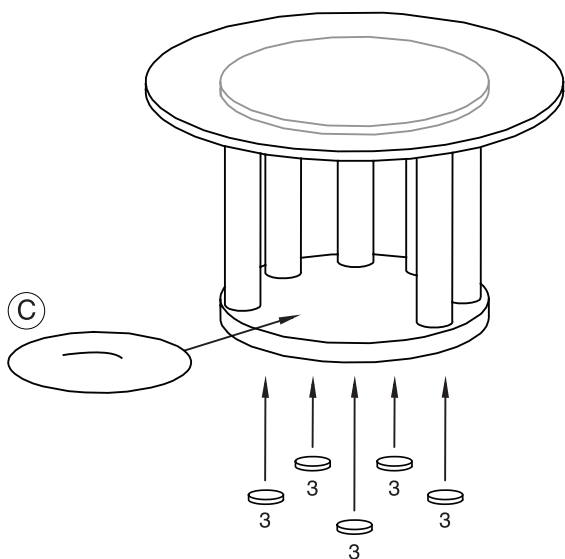
Install the six post **D** to top board **A**.

## 2

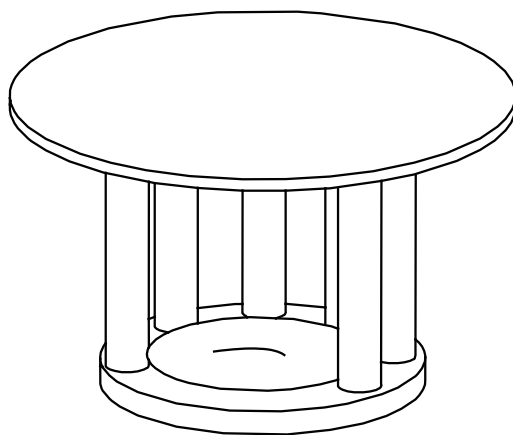


Install baseplate **B** with screw No. **1**.

## 3



Put cushion **C** to the baseplate. Attach anti-slip pads No. **3** to the back of the baseplate.



## ASSEMBLY COMPLETE