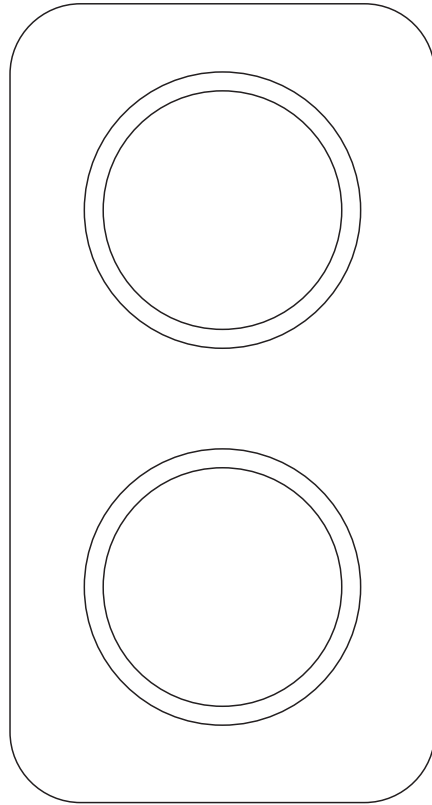
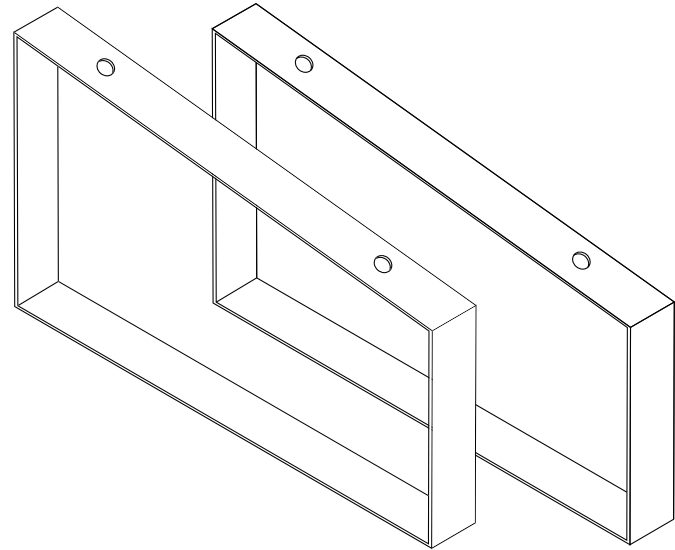


What's in the box?

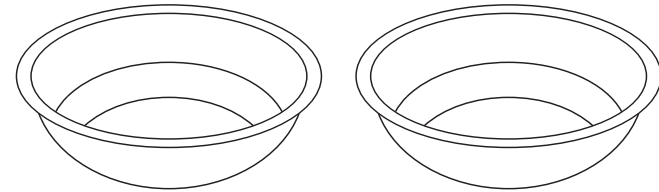
A



B



C



Accessory number 1 x 4

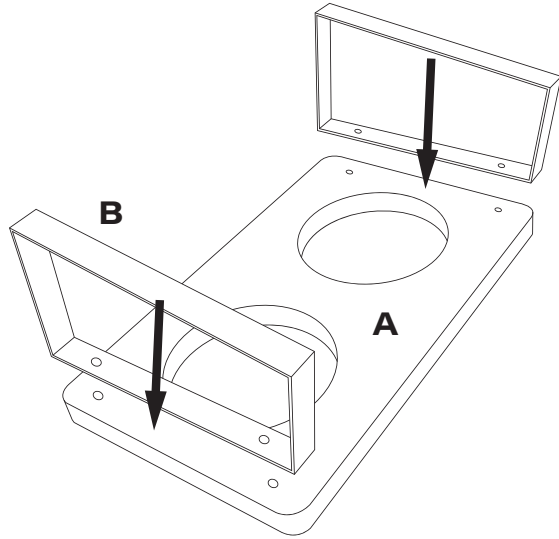


Wrench



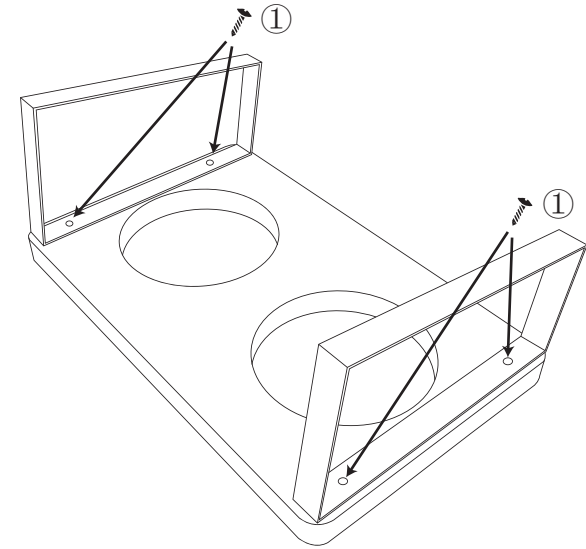
Anti-slip mat x 4

STEP 1



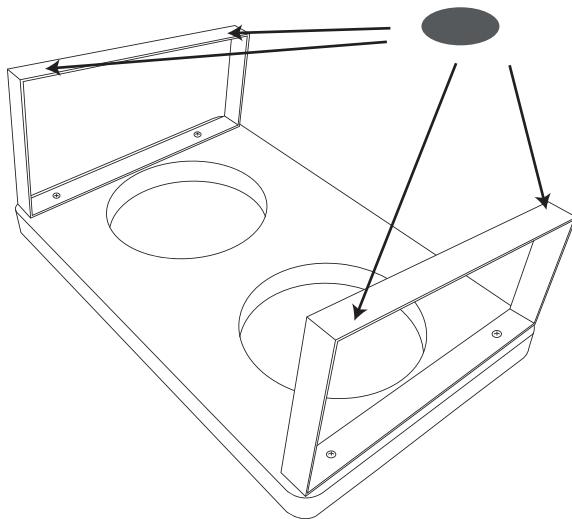
Align part **A** (*top panel*) with part **B** (*side frames*), matching the holes.

STEP 2



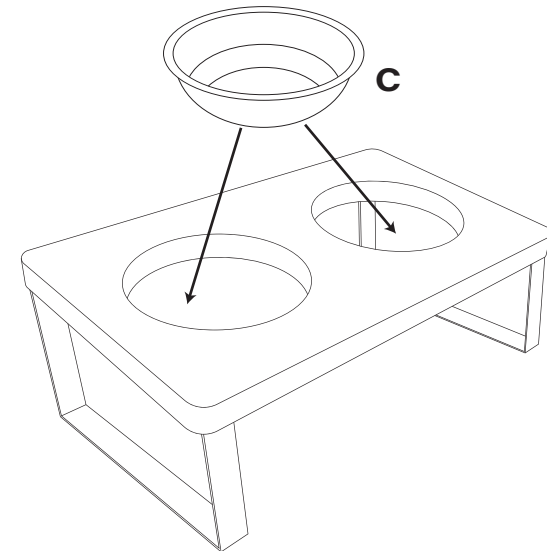
Use accessory ① screws to connect part **A** and part **B** securely.

STEP 3

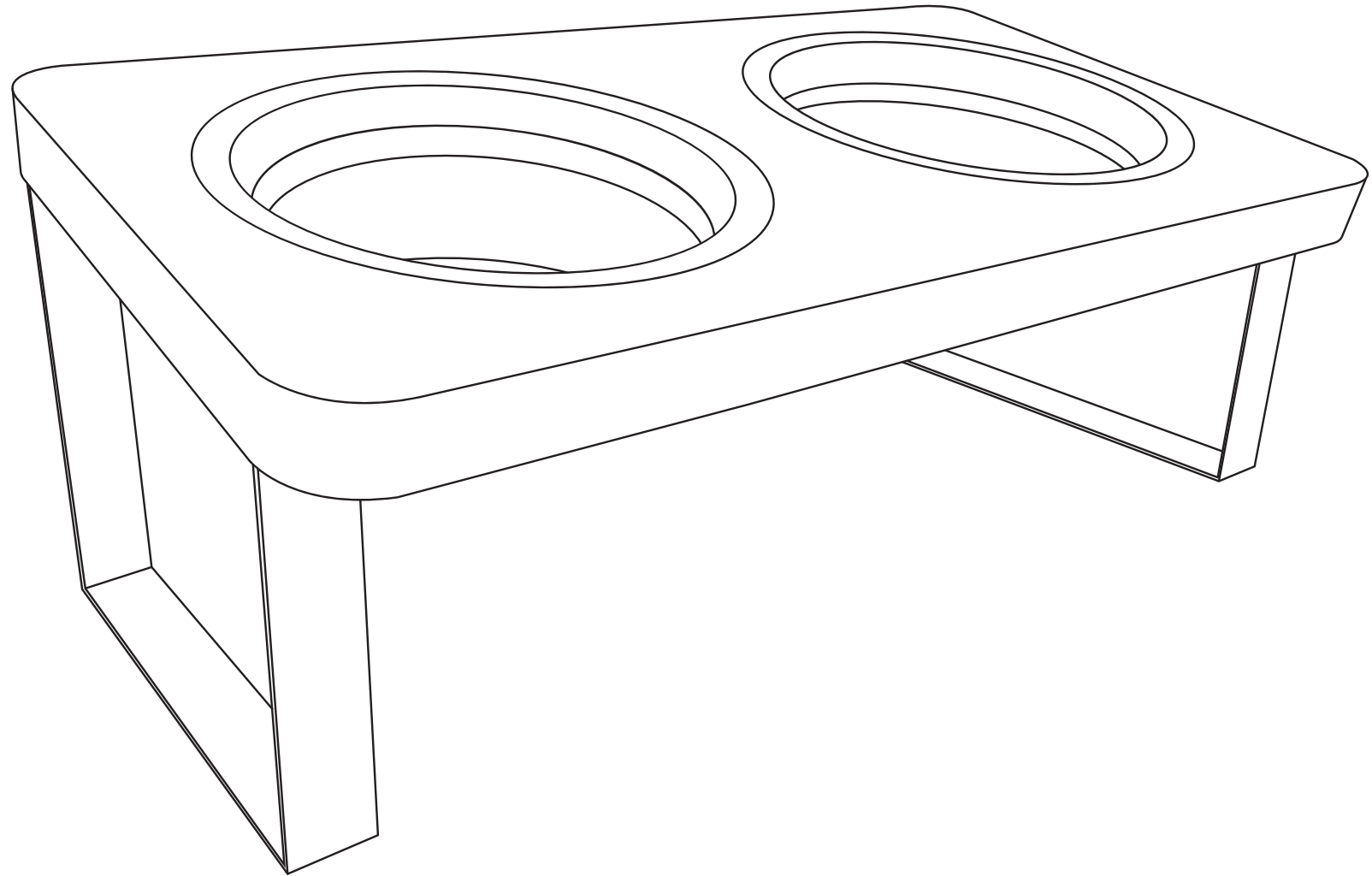


Attach the anti-slip mats to the designated spots on the bottom of the frame.

STEP 4



Place bowls **C** into the openings of part **A**.



INSTALLATION COMPLETED.