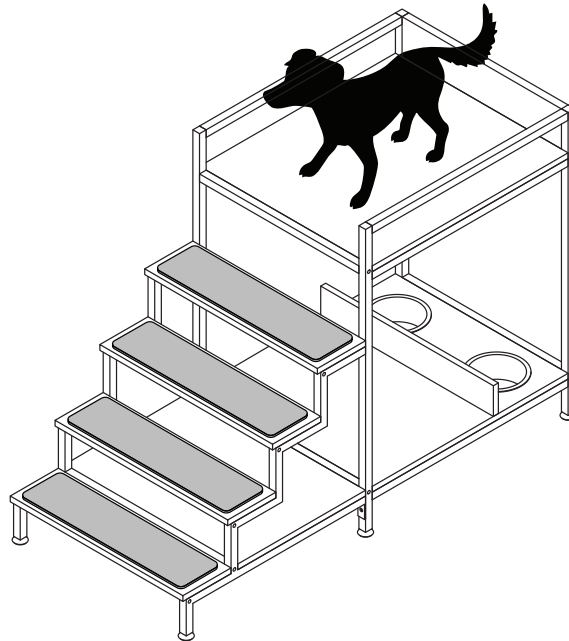


PATHOSIO PETS

# DOG WINDOW PERCH

*Assembly Manual*

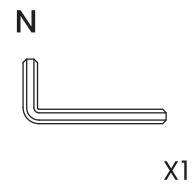
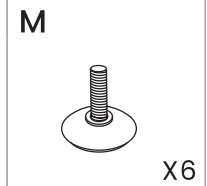
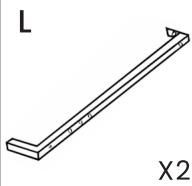
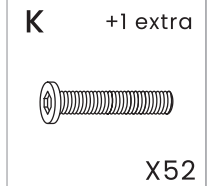
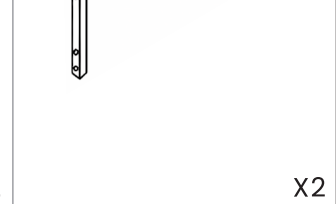
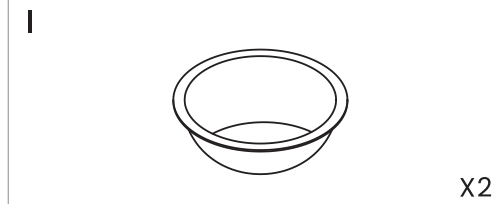
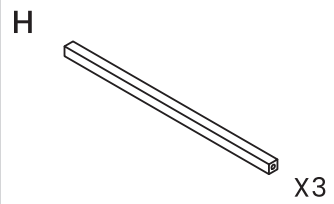
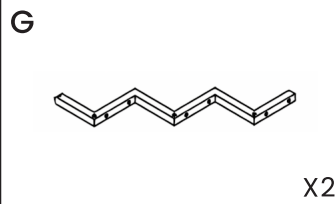
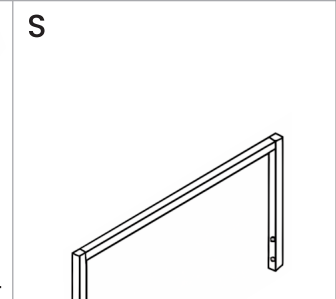
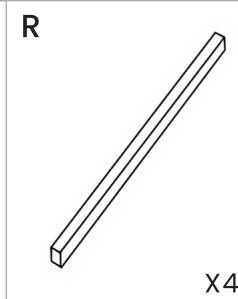
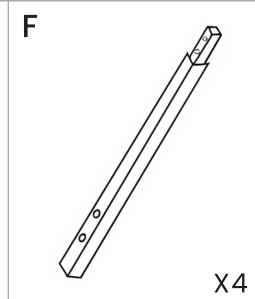
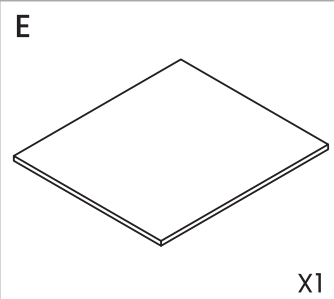
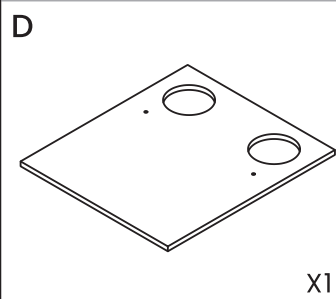
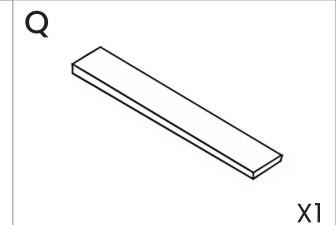
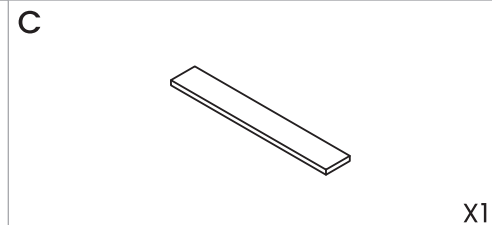
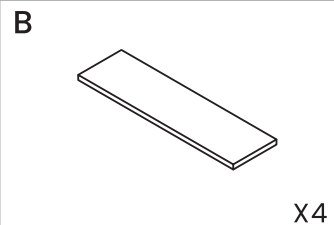
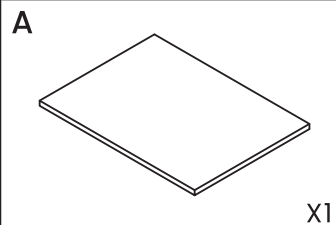


**PATHOSIO PETS**

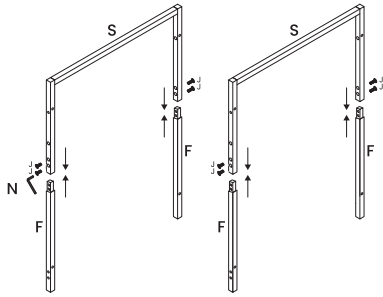
For any customer feedback, question, or problems,  
scan the QR code to open a ticket on our website.



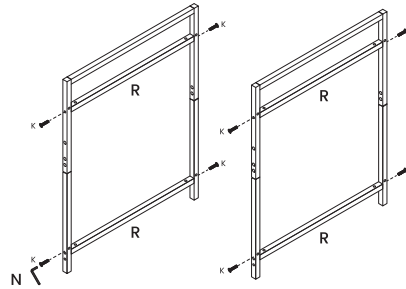
# What's in the box?



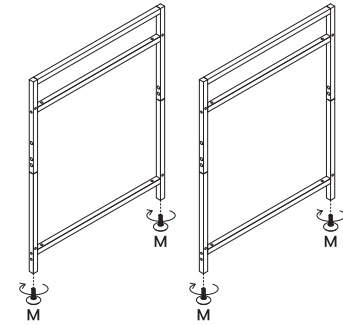
## STEP 1



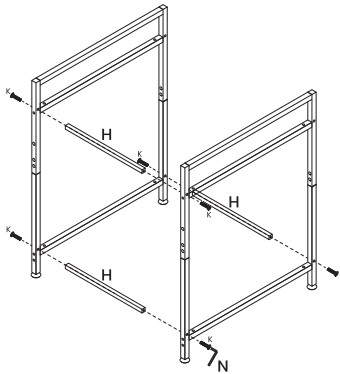
① Attach **S** and **F** using the **N** tool.



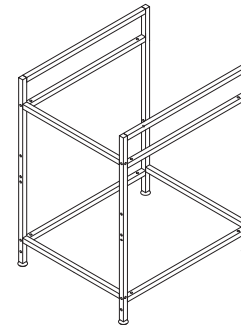
② Attach **R** to the assembled **S & F** using the **N** tool.



③ Attach **M** to the bottom part as feet.



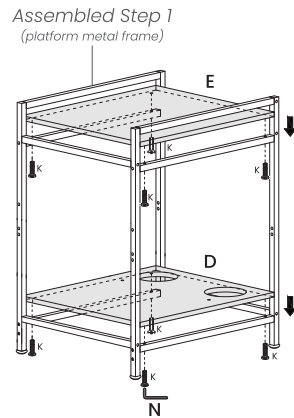
④ Combine the assembled **S, F, R,** and **M** with the **H** part using the **N** tool.



⑤ Platform metal frame complete.

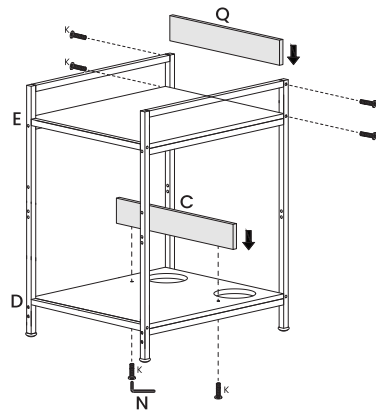
## STEP 2

1



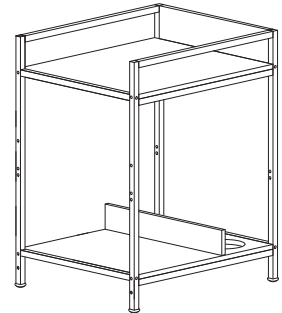
Attach the wooden platforms **E** & **D** on the Assembled Step 1 using **N** tool.

2



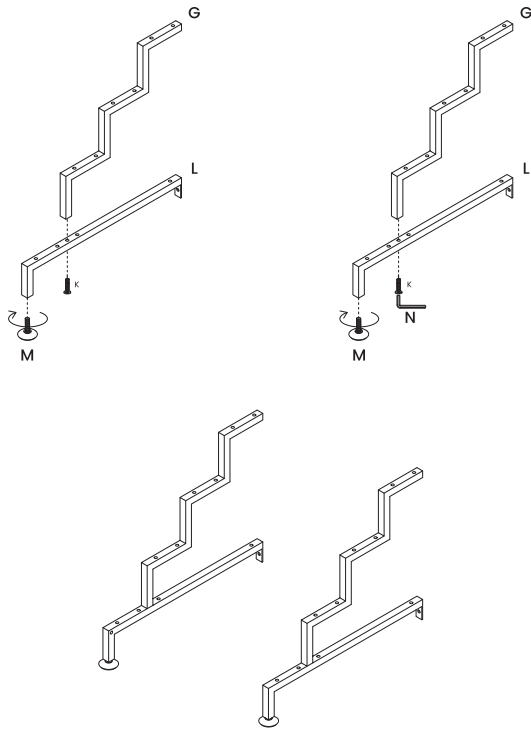
Attached the rectangular wooden parts **Q** and **C** to the **E** and **D** platforms using **N** tool.

3



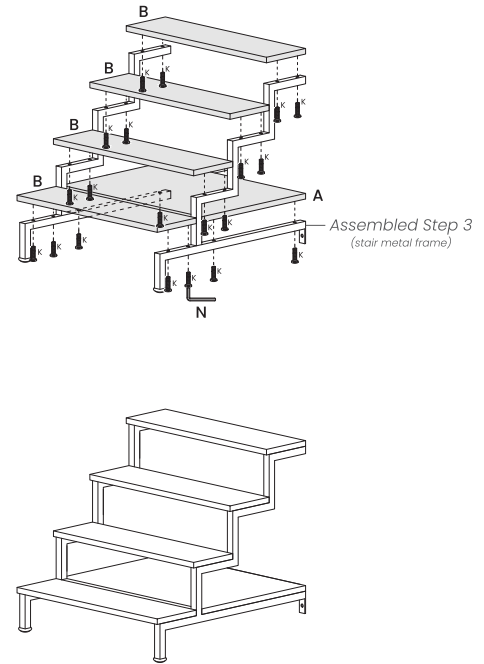
Platform complete.

### STEP 3



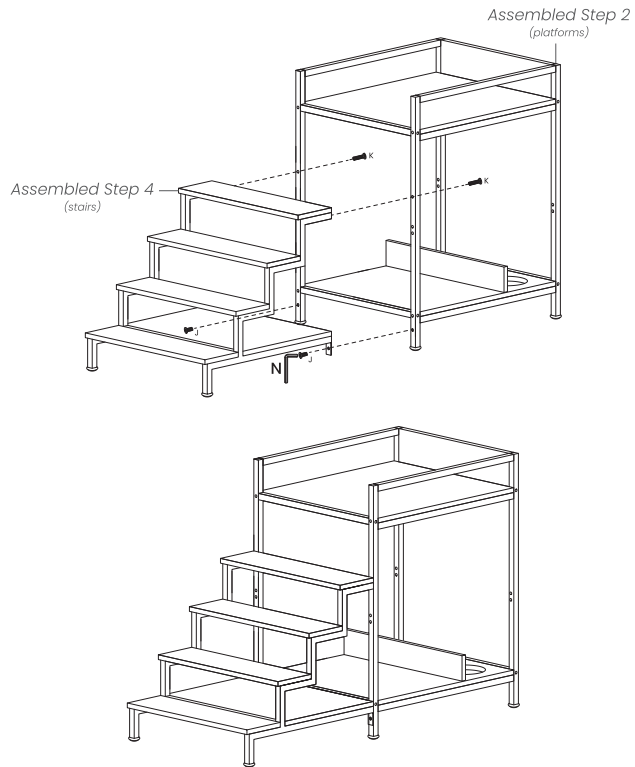
Attach the metal part **G**, **L** and feet **M** using **N** tool.

### STEP 4



Attach steps **B** and wooden part **A**  
on the *Assembled Step 3*.

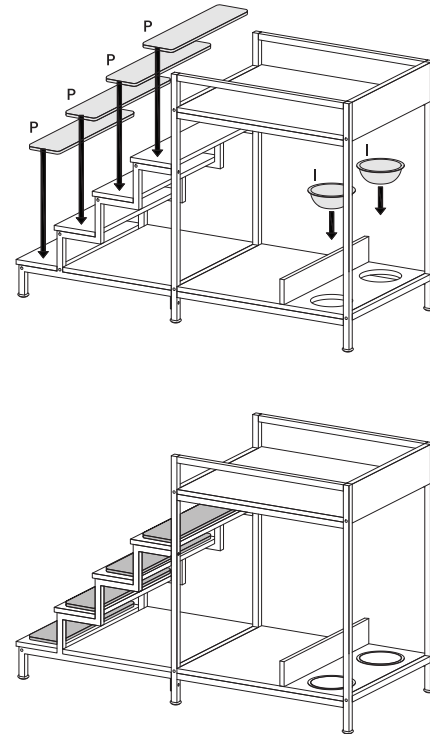
## STEP 5



Connect **Assembled Step 2** (platform & feeding area) and **Assembled Step 4** (stairs) using **N** tool.

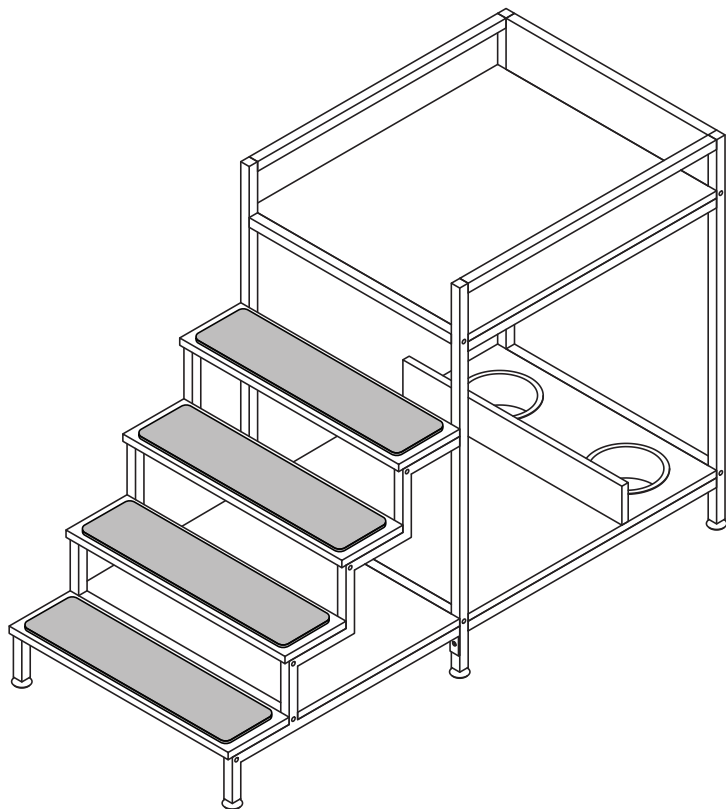
Attached stairs to the platform.

## STEP 6



Place the 4 carpet **P** and the 2 bowls **I**.

Placed carpets and bowls.



**ASSEMBLY COMPLETED.**