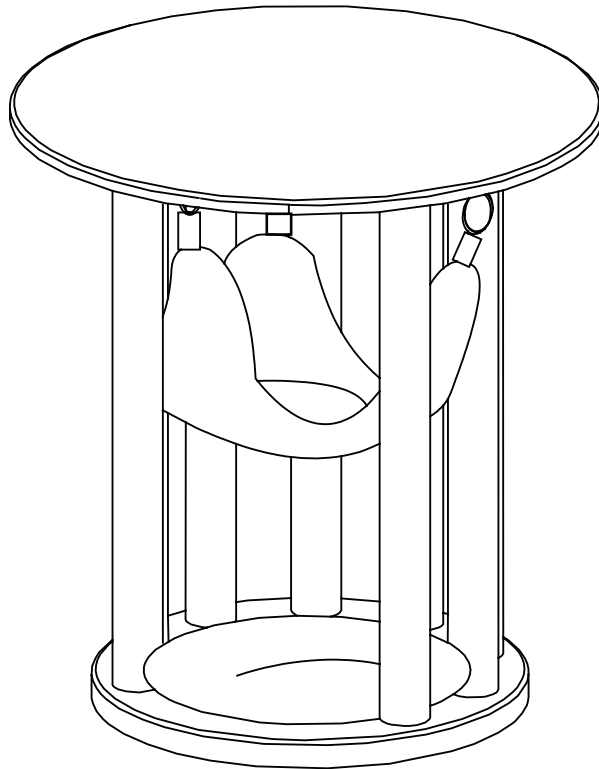




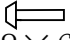
# Pathosio Pets Multifunctional Pet-Friendly Cat Table Assembly Manual



For any customer feedback, questions, or problems,  
scan the QR code to open a ticket on our website:



# PARTS LIST

P1  8×60mm

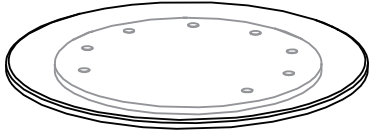
8pcs+1spare

P2  5mm

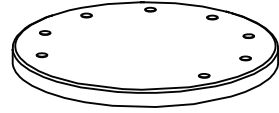
1pc

P3  4×2mm

5pcs



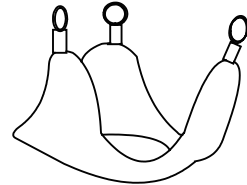
Ⓐ \*1



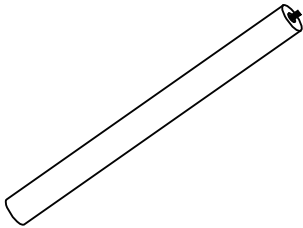
Ⓑ \*1



Ⓒ \*1

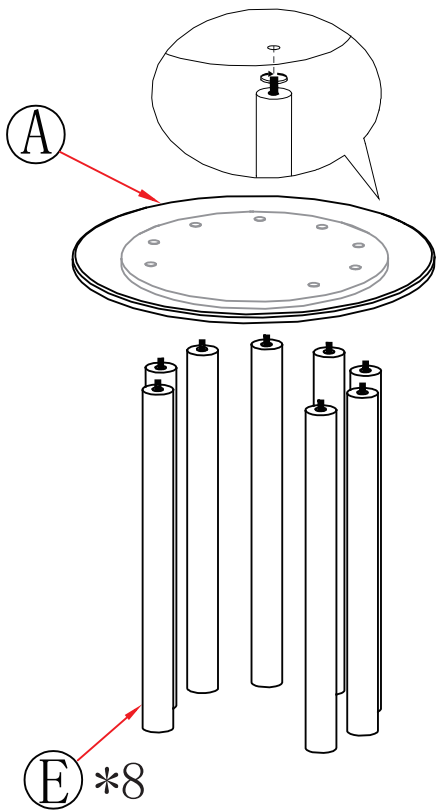


Ⓓ \*1



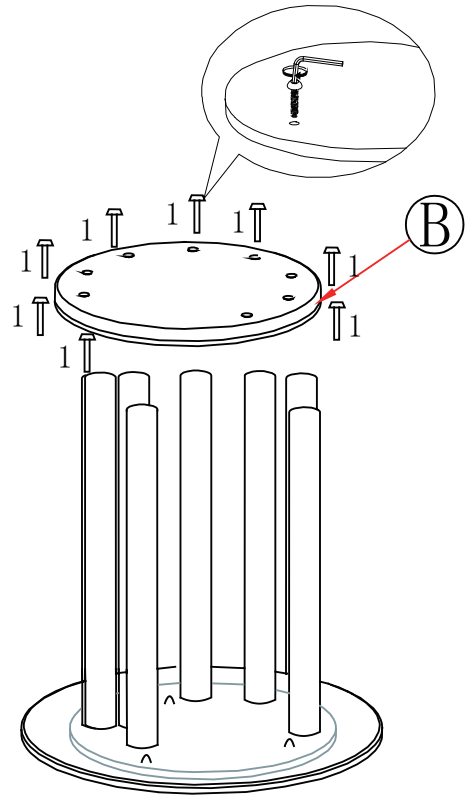
Ⓔ \*8

# ASSEMBLY INSTRUCTION



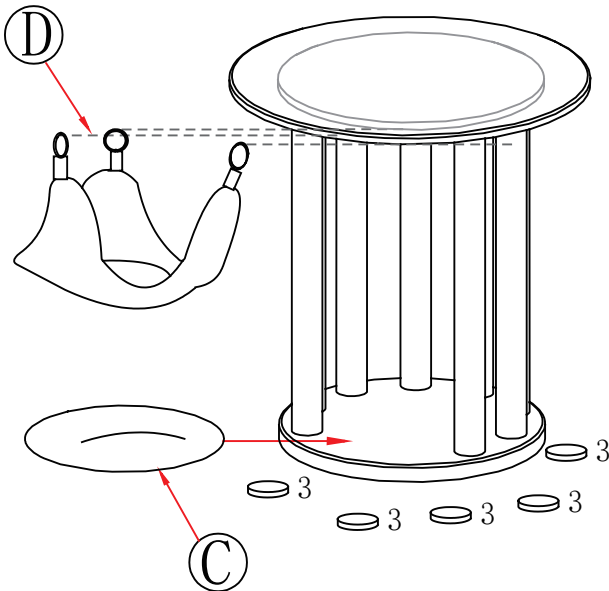
Install post E to top board A

STEP1



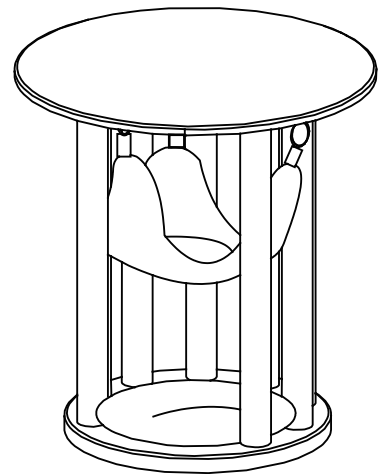
Install baseplate B with screw No.1

STEP2



1. anti-slip pads are attached to the back of baseplate
2. Hang cushion D to top board A
3. Put cushion C to baseplate

STEP3



STEP4