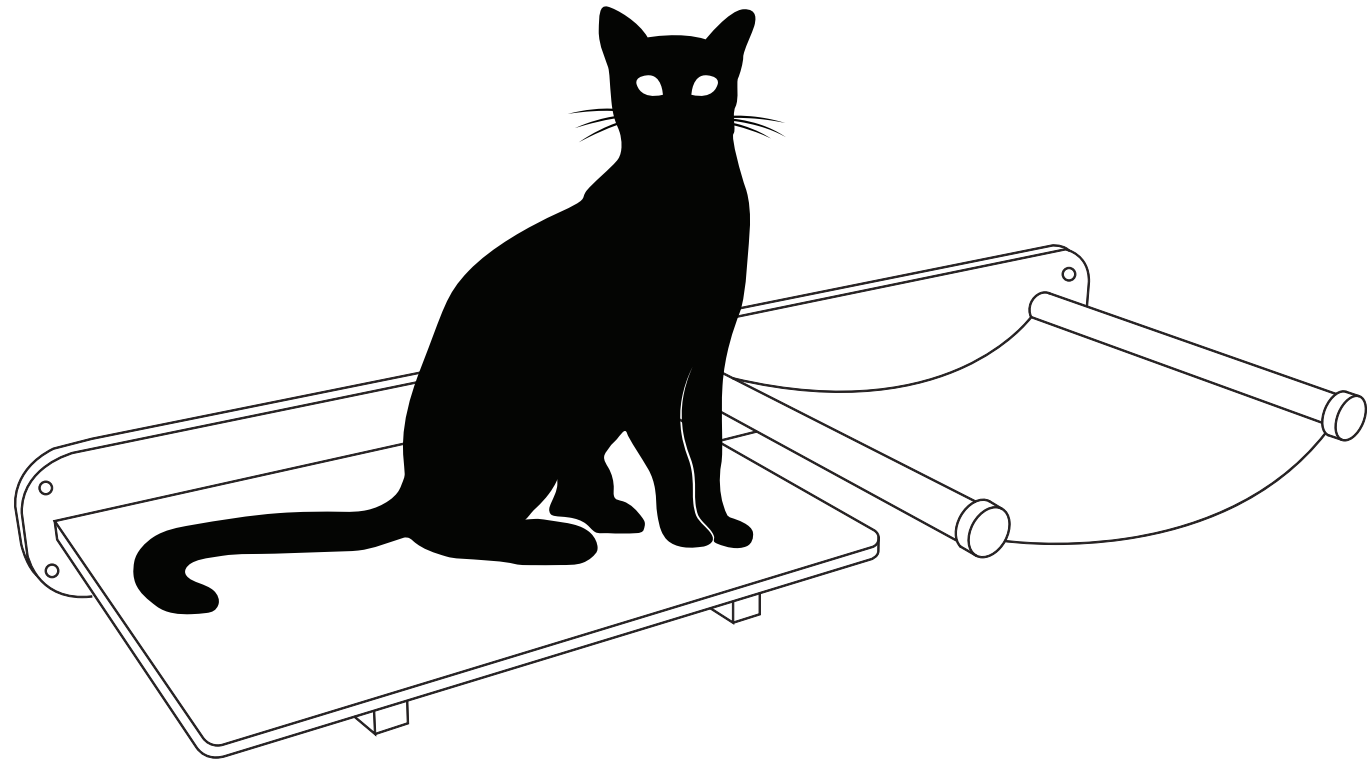


CAT HAMMOCK WITH SHELF & FEEDING STATION

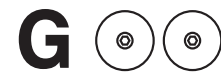
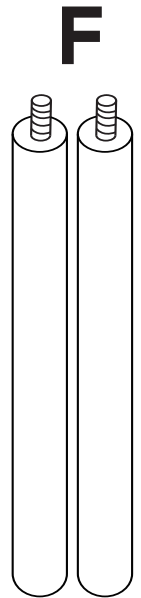
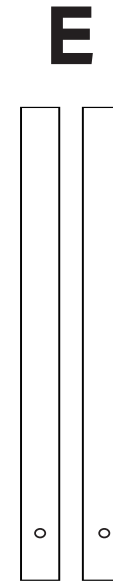
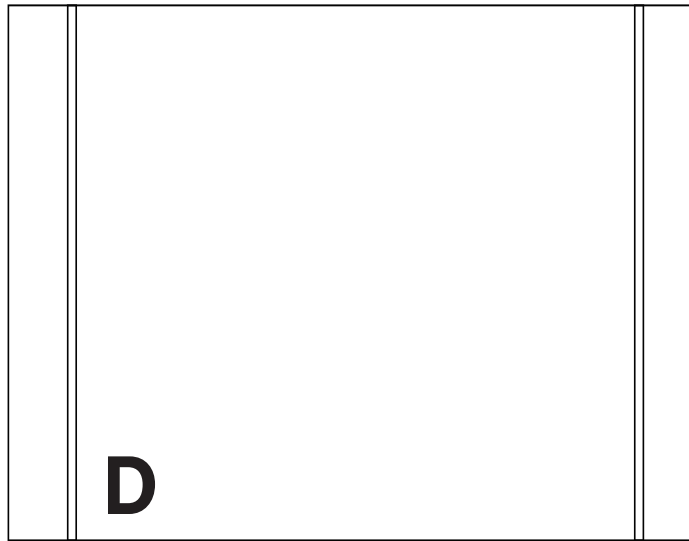
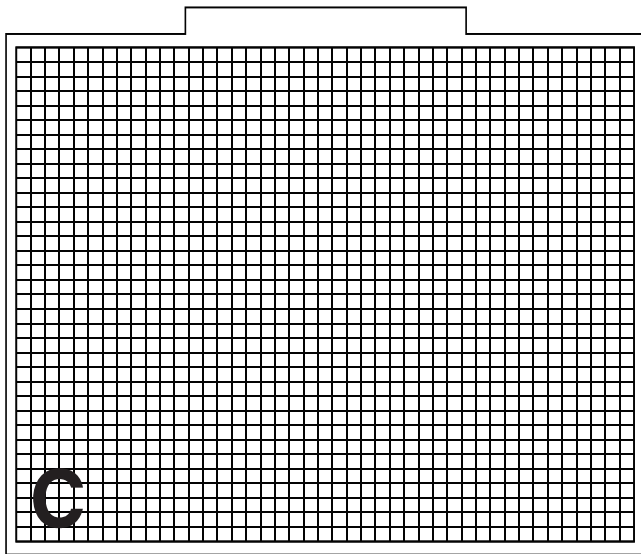
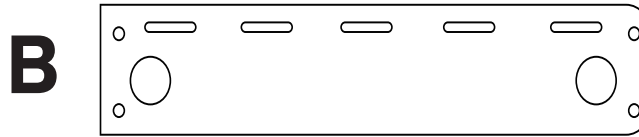
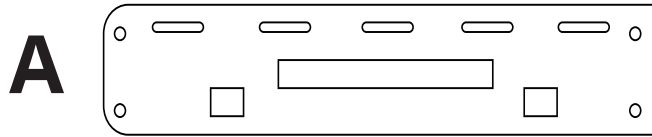


PATHOSIO PETS



For any customer feedback, question, or problems,
scan the QR code to open a ticket on our website.

WHAT'S IN THE BOX?



Accessory number 1 x 6



Accessory number 2 x 8



Accessory number 4 x 8

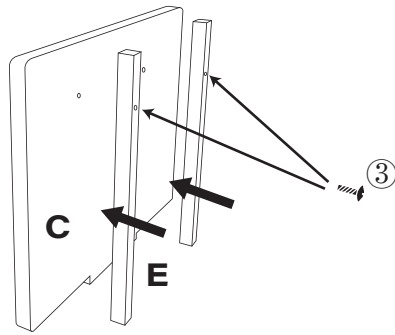


Accessory number 5 x 8



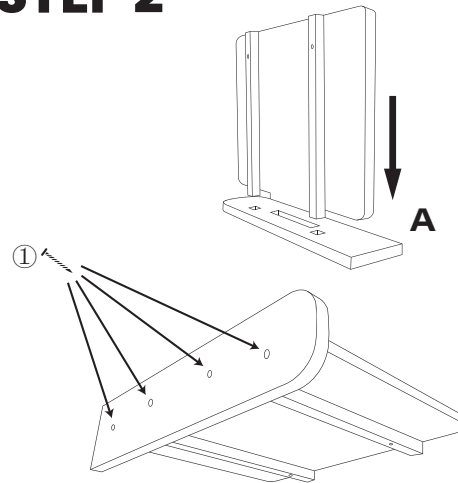
Accessory number 3 x 2

STEP 1



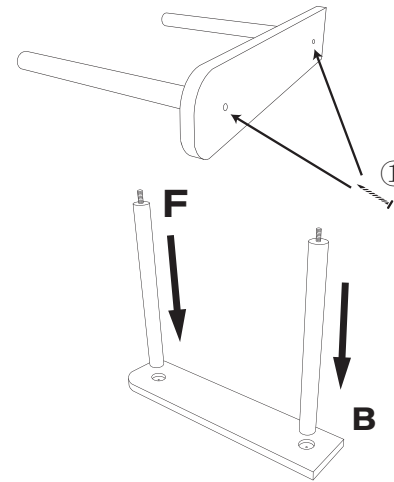
Use accessory ③ to connect parts zC and E.

STEP 2



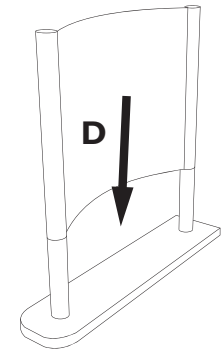
Align the assembled parts with the notches in part A. Secure using accessory ①.

STEP 3



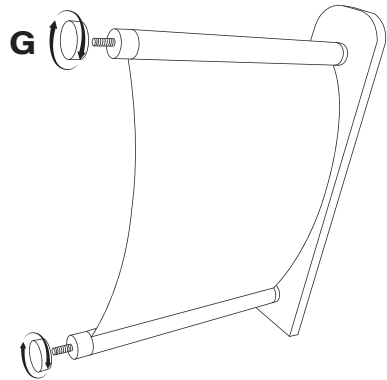
Insert part F into part B, then fix in place with accessory ①.

STEP 4



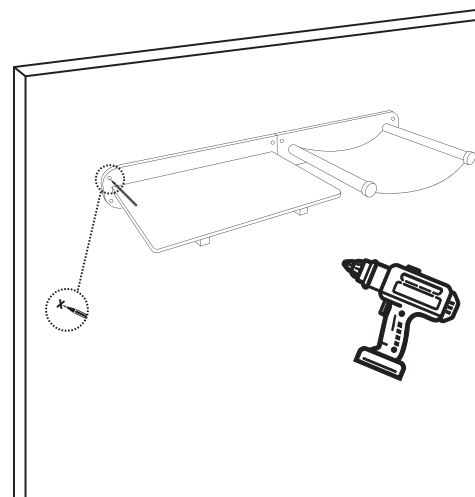
Insert part D into the two assembled parts F.

STEP 5



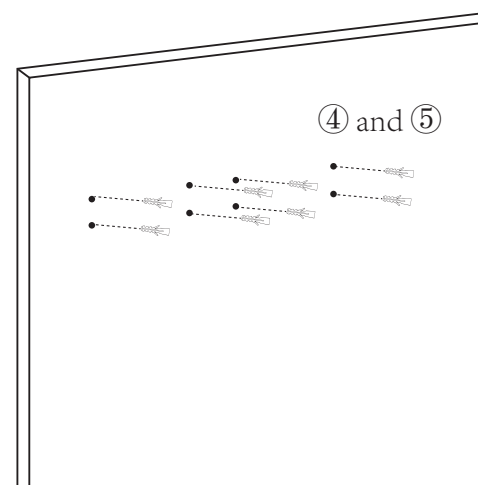
Secure part D by rotating accessory G onto each end of part F.

STEP 6



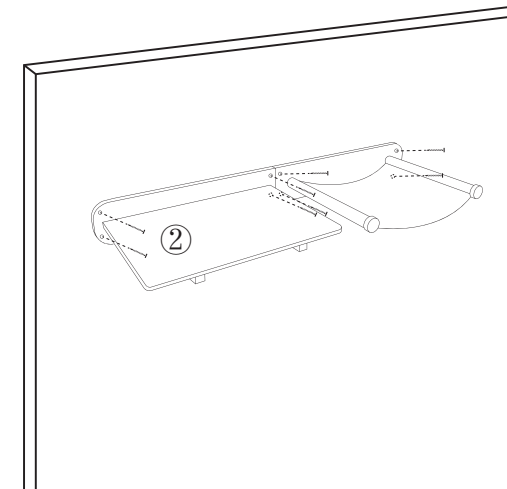
Hold the unit against the wall to mark the upper mounting position, then drill the holes.

STEP 7

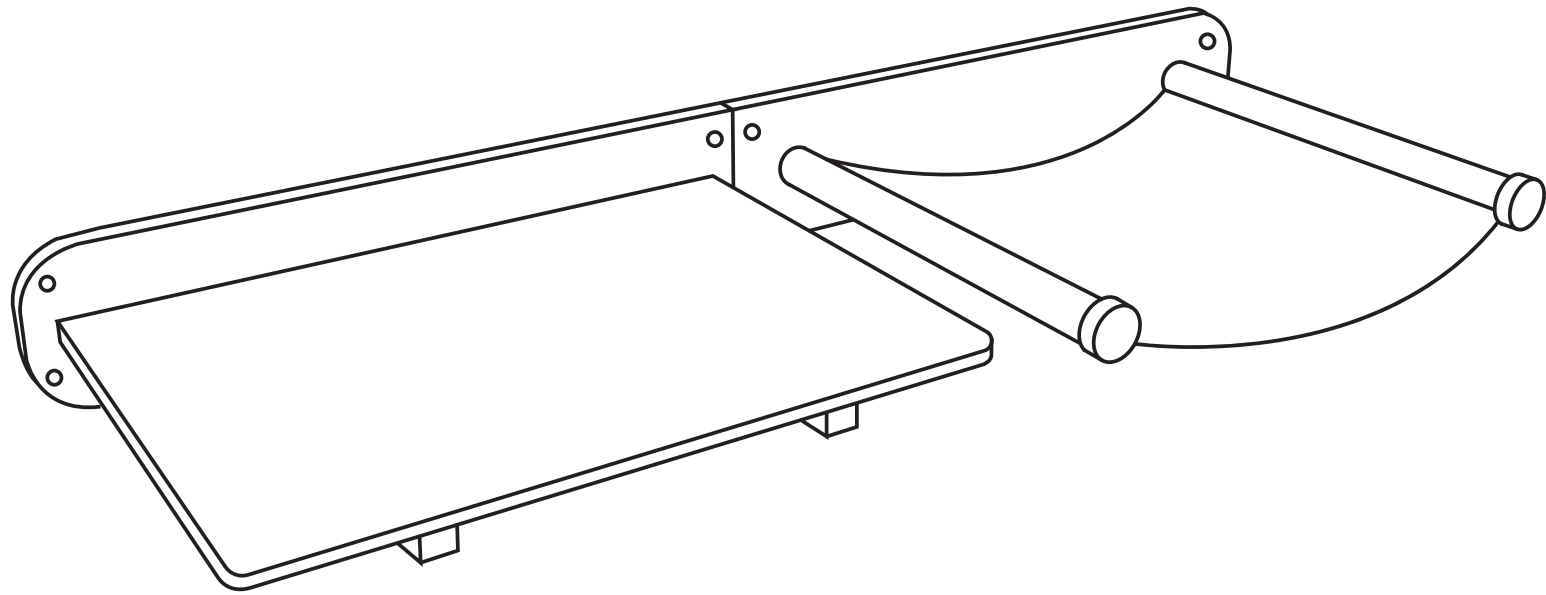


Insert expansion screws ④ or ⑤ (choose according to your wall type) into the drilled holes.

STEP 8



Use accessory ② screws to fix the product securely onto the wall.



INSTALLATION COMPLETED.