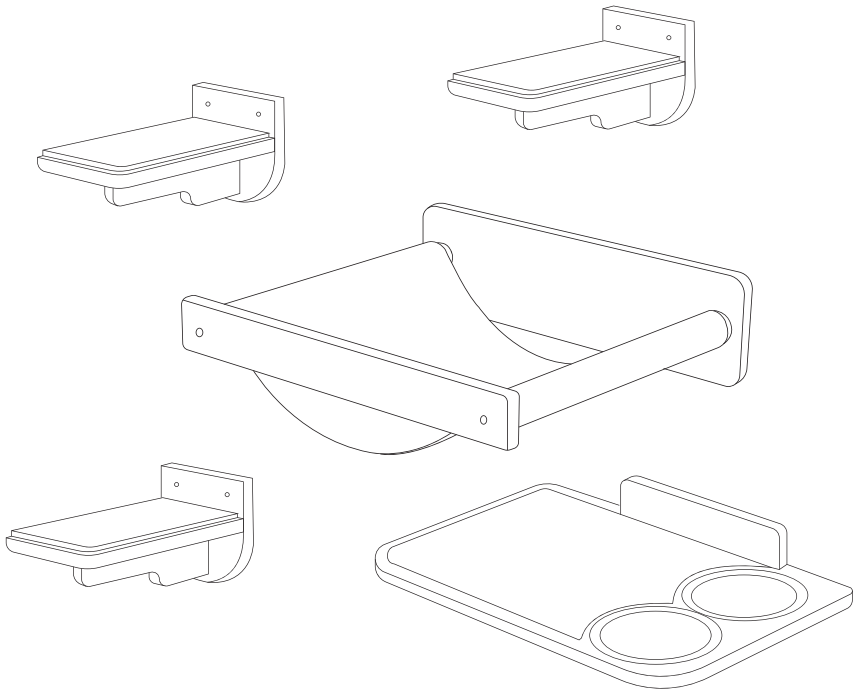




PATHOSIOPETS

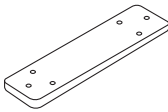
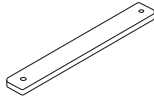
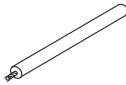
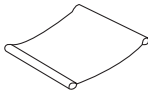
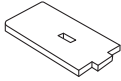

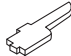
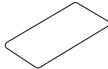

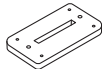
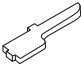
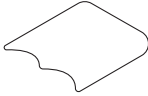

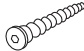






# CAT WALL SHELVES



Got a question or comment?  
Scan the QR code and drop us a quick message.  
We'll be right with you!



# Parts & Hardwares

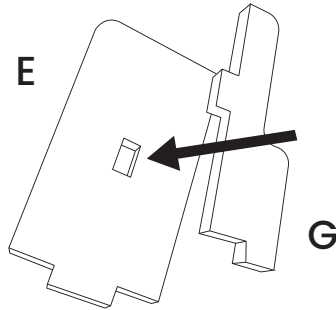
<p>A 1 pc</p>  <p>Base Support Plate</p>	<p>B 1 pc</p>  <p>Support Bar</p>	<p>C 2 pcs</p>  <p>Dowels</p>	<p>D 1 pc</p>  <p>Hammock</p>	<p>E 3 pcs</p>  <p>Connector Block</p>
<p>F 3 pcs</p>  <p>Wall Mount Bracket</p>	<p>G 3 pcs</p>  <p>Slot Connector</p>	<p>H 3 pcs</p>  <p>Small Plate</p>	<p>I 1 pc</p>  <p>Main Mounting Board</p>	<p>J 1 pc</p>  <p>Mounting Bracket Plate</p>
<p>K 2 pcs</p>  <p>Slot Connector</p>	<p>L 1 pc</p>  <p>Platform Cover</p>	<p>M 2 pcs</p>  <p>Rings</p>	<p>1 11 pcs</p>  <p>Assembly Nails</p>	<p>2 15 pcs</p>  <p>Wall Screws</p>
<p>3 15 pcs</p>  <p>Wall Nails</p>	<p>4 15 pcs</p>  <p>Gypsum Board Expansion Screw</p>	<p>5 15 pcs</p>  <p>Expansion Screw</p>	<p>1 pc</p>  <p>Allen Wrench</p>	<p>1 pc</p>  <p>A3 installation aid paper</p>

Accessories No. 1 to No. 5 include an extra spare for your convenience in case of loss or damage

# EASY ASSEMBLY

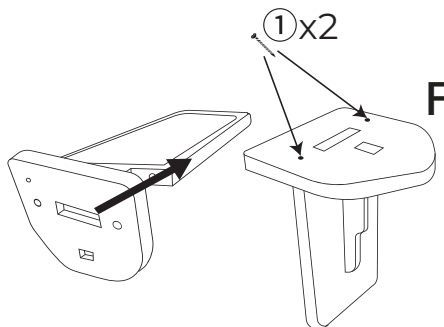
**Assembly Tip:** Ensure proper alignment and firm pressure so mortise and tenon joints lock together securely.

## STEP 1



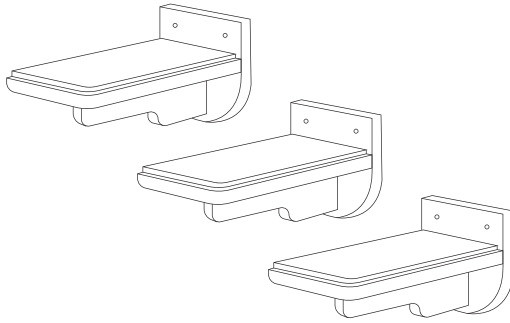
Insert fixing plate **G** into slot on plate **E**.

## STEP 2



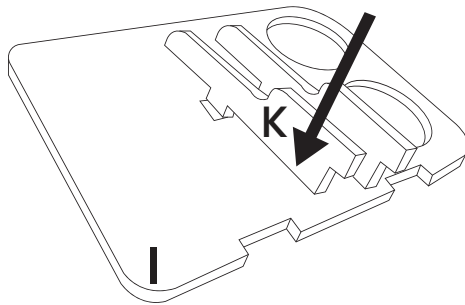
Use two screws (①) to attach the assembled **E+G** to plate **F**.

### STEP 3



Repeat **STEP 1** and **STEP 2** to create three total brackets.

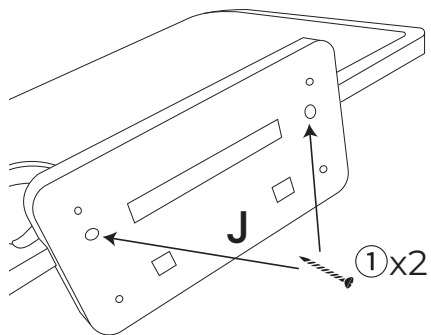
### STEP 4



Insert plate **K** into the slot on base plate **I**.

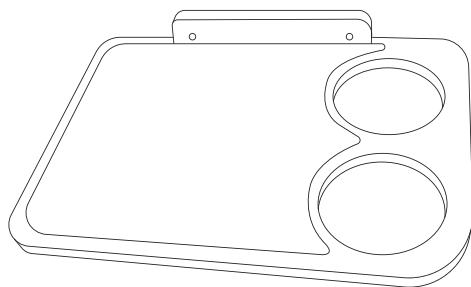
**Assembly Tip:** Tighten screws with steady pressure.  
Make sure parts are secure, but don't overtighten.

## STEP 5



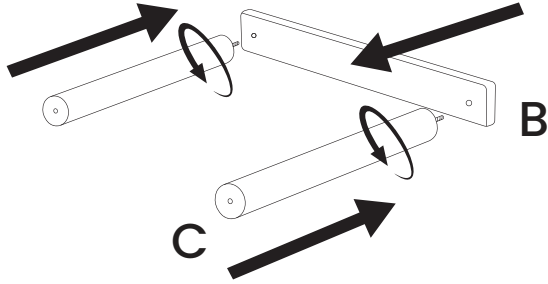
Secure plate **J** to the underside of plate **I** using two screws (①).

## STEP 6



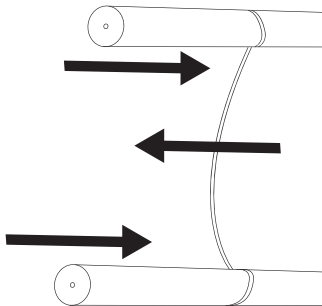
Feeding area is now fully assembled.

## STEP 7



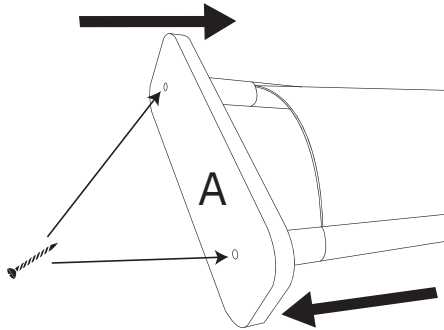
Screw the two rods (C) into the mounting bar (B) as shown.

## STEP 8



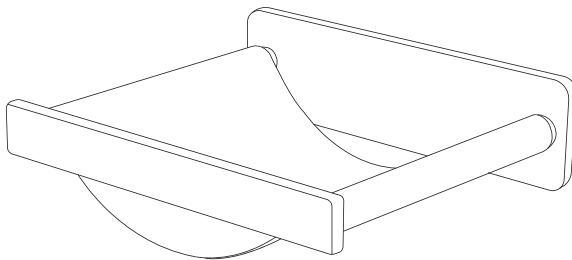
Slide the fabric sling (D) onto the rods (C) following the direction in the illustration.

## STEP 9



Attach the rods (C) and the mounting plate (A) using screws (1).  
Make sure they are tightly secured.

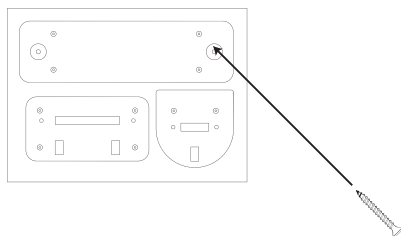
## STEP 10



The sling shelf is now fully assembled.

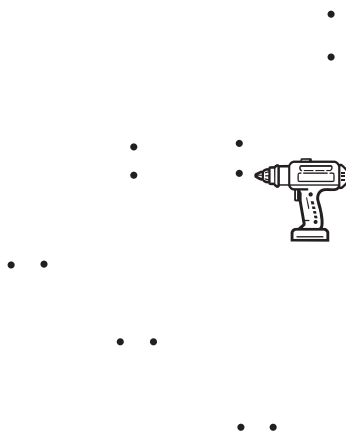
## STEP 11

First estimate the product installation location, use installation auxiliary paper, and use nails or other sharp objects to press out the estimated location of the wall holes on the wall.



## STEP 12

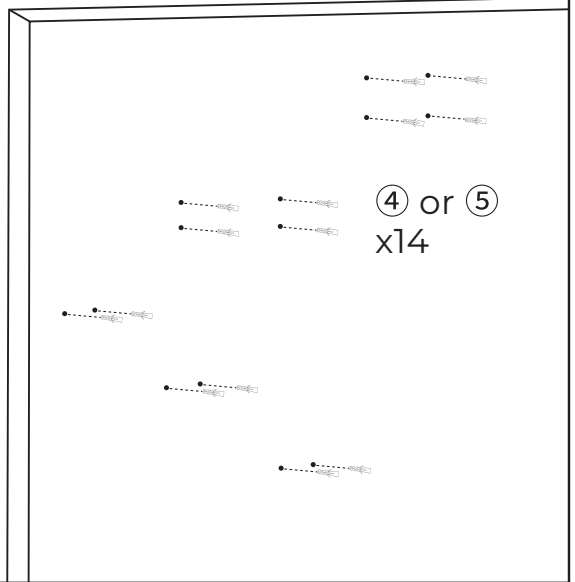
Drill holes at the marked points on the wall to prepare for installation.



## STEP 13

Insert expansion tubes ④ or ⑤ into the drilled holes, based on wall type:

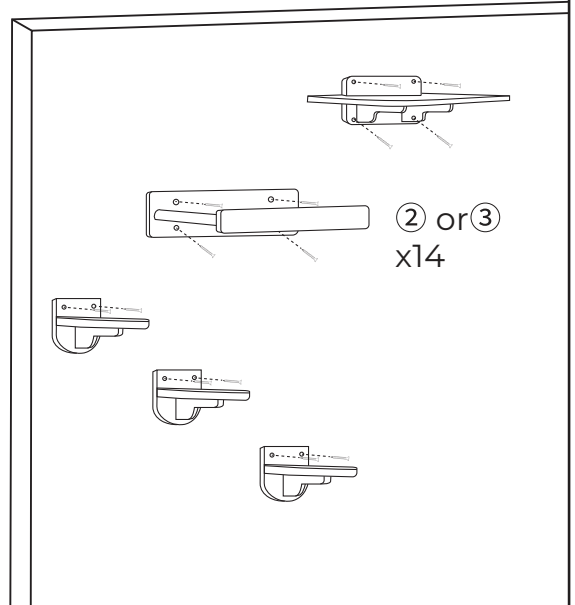
- Use white tubes (④) for gypsum board
- Use yellow tubes (⑤) for cement walls



**Assembly Tip:** Tighten screws with steady pressure. Make sure parts are secure, but don't overtighten.

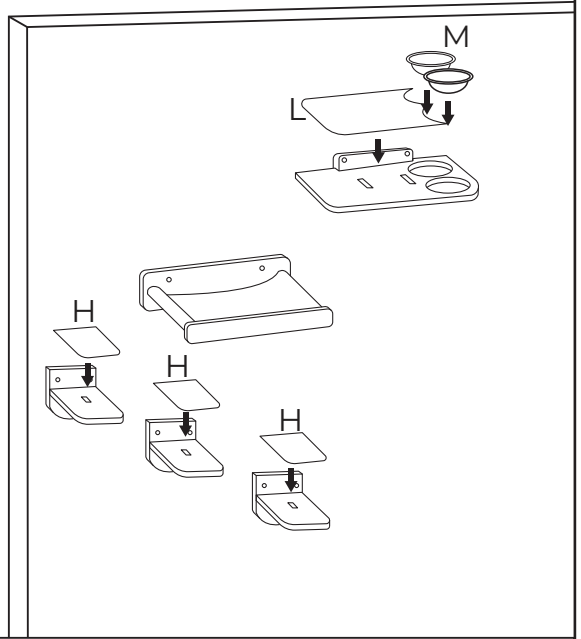
## STEP 14

Secure each product piece to the wall using screws ② or ③ as shown.



## STEP 15

Attach the bowls (**M**) and place the sisal mats (**H** and **L**) onto their respective platforms.



## INSTALLATION COMPLETE

All components should now be securely mounted on the wall.

